

# EVERHARD SPEC PACK



PRODUCT INFO | IMAGES | DRAWINGS

## PRODUCT

EI Trade 800 RH Single Bowl & Drainer

## EI CODE

73190

## BRAND

EI Trade



Interior  
Products

Drainage  
Solutions

Environmental

Civil &  
Commercial

# SPEC PACK EI TRADE COLLECTION

SPEC SHEET



## EI TRADE 800 RH SINGLE BOWL & DRAINER

### PRODUCT CODE:

73190

### FEATURES:

- / 18L with one tap hole
- / 304 stainless steel bowl
- / 90mm stainless steel basket waste
- / Also available in LH

### OVERALL DIMENSIONS:

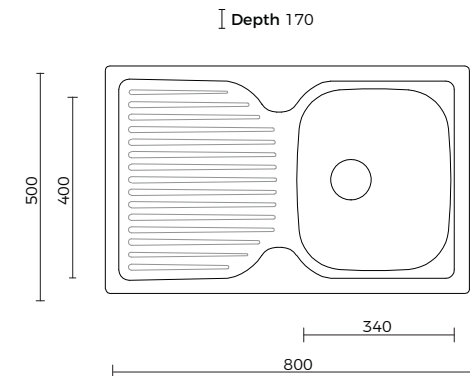
800 L x 500 W x 170mm D

### WEIGHT:

4.2kg

### WARRANTY:

10 years



Disclaimer: All measurement are in millimetres and are solely for reference purposes. Colours have been reproduced with as much accuracy as possible. Any changes resulting from technical advance of design or colour may be made without prior notice. Tapware, accessories and appliances are for illustration purposes only. Further information on warranties is available at [www.everhard.com.au](http://www.everhard.com.au)

# SPEC PACK LAUNDRY COLLECTION

## PRODUCT DRAWING

