

Please inspect your new toilet suite before installation. No claims will be accepted after installation is completed.
 Contents: Pan, Cistern, Seat & Cistern Bolts (pan screws not included.)

FEATURES

Material: White Vitreous China

Weight: Pan:30Kg Cistern:14Kg

Fixing: Toilet Pan screwed and siliconed to floor. Cistern bolted directly to Pan.

Standards: AS 1172.1 & AS1172.2

Cistern Fixing: Bolt directly to pan using bolts provided.

Rim of Pan: Boxed Rim to prevent splashing and direct water more efficiently.

Trap Configurations: P trap (Convert to S trap using approved plastic bend.)

Set Out: S trap 80mm to 210mm depending on type plastic bend required. P trap 180mm fixed (height from floor to centre of outlet on pan, allow for 8mm fall to point in wall).

Seat: Polypropylene seat, soft close, detachable with chrome hinges.

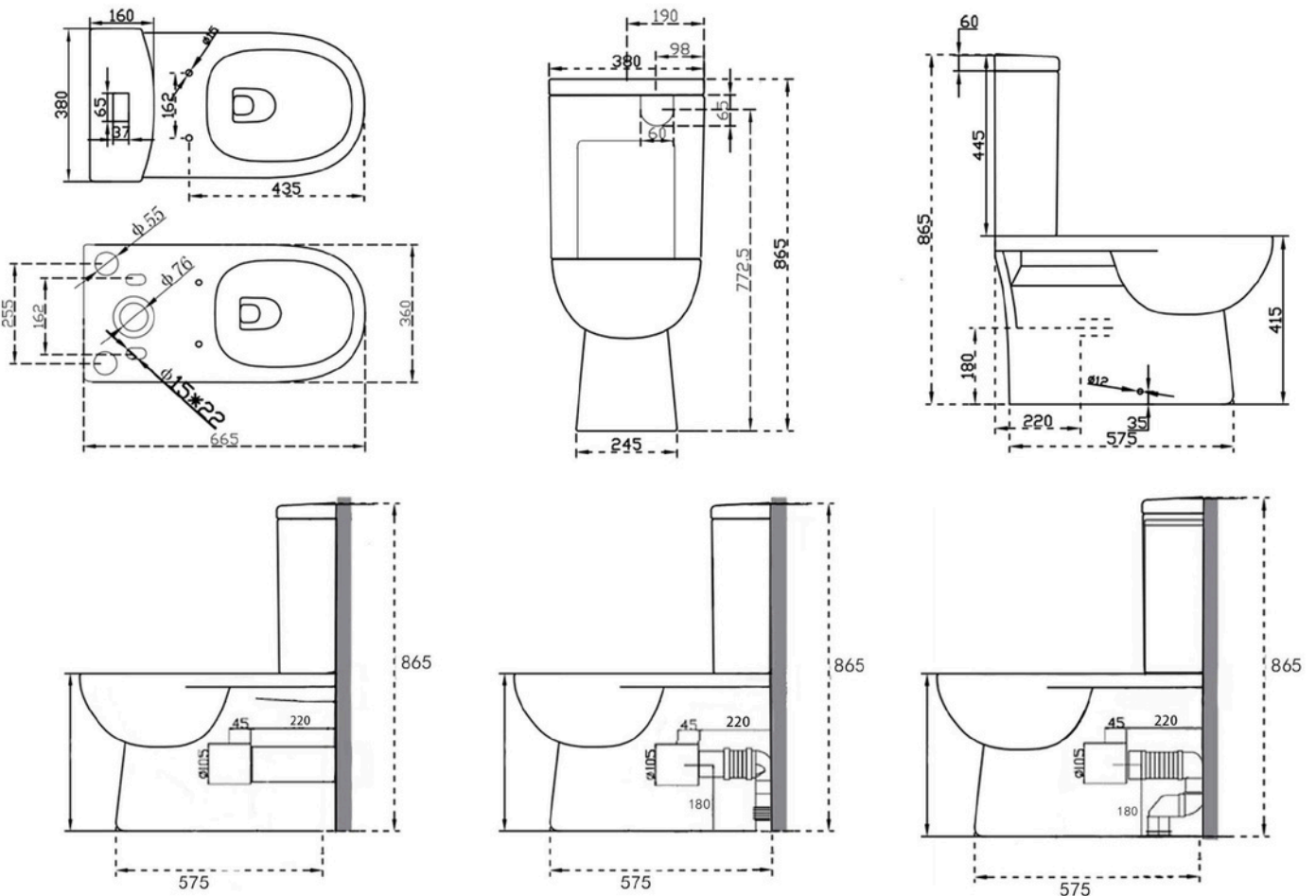
Water Inlet: R&T back entry.

Water Rating: Complies with Australian standards at 4.5L full flush and 3.1L half flush.

Outlet Value: Quality outlet valve for reliability and quiet operation. (Quick-release washer change feature saves time and money).



Note: Ensure that the inlet water pressure does not exceed 500kPA as per AS/NZ35003.3.2



Note: Everhard recommends that the Classic Curve Back to Wall Toilet Suite is not installed using an offset pan connector when using the uniconnector to install the pan as this may cause flushing problems

1

Rough-in position for the waste outlet and the floor fixing bracket holes that the water inlet connection is not obstructed by the toilet.

3 P Trap Installation

Set up the waste pipe to that the end of the pan collar extends 240mm from finished wall.

4 P Trap Installation

Make sure that the inlet hose is pushed through hole in the side of the pan. Align and push the fully assembled pan and cistern back to the wall, connecting the pan spigot to the pan collar. Bucket flush and check for leaks.

2

Assemble the cistern to the pan. Place the foam coupling seal into the pan recess (do not use sealant.) Connect the flexible hose to the inlet valve at the base of cistern. Position the fixing bolts into base of the cistern ensuring that the black washers are on the inside of the cistern. Lift the cistern over the pan. Line up the fixing bolts with the holes in the pan. Using the nuts and washers provided, tighten down the cistern evenly to the pan. Do not overtighten.

3 S Trap Installation

connector back to the wall using the screw fitting and collar. (The screw fittings need to be cut down to size so that pan connector is fixed in the vertical position.) Remove the plastic cover and rubber from the front of the pan connector. Cut the front of pan connector down to the required length. Take care to ensure the cut is even and straight. Lubricate the rubber then replace it and then the plastic cap onto the pan connector.

Lubricate the rubber fins of the pan bend and position this in the waste pipe at the correct height. Fix the pan

4 S Trap Installation

Align and push the fully assembled pan and cistern back to the wall, connecting the pan spigot into the pan connector. Bucket flush and check for leaks.

5

Connect the cistern to the stop tap on the wall using the appropriate plumbing fittings. Ensure the inlet valve filter (supplied) is installed onto the inlet valve. (Warranty will be voided if the filter is not installed). Fill the cistern the correct height.

7

Ensure that the pan is level and that the cistern aligns with the wall. Make minor adjustments if necessary. (Note: walls may be out of square with floors which may create a gap behind the cistern. This can be covered up by using a suitable flexible gap filler.)

8

Fix the pan to the floor using the screws and caps provided. Silicone the pan to the floor and remove excess sealant.

Plumber Instructions: Please ensure that these installation instructions are left with the end user for future reference. It is recommended that the toilet seat and cover be installed after all trade-work is finished. Note: All measurements for rough-in should be taken from finished wall / door. Please check all measurements against the actual toilet before commencing as variances do occur.

Cleaning Recommendations: The high quality vitreous china finish can be maintained by simply using mild soapy water and wiping over. Sanitary ware should not be cleaned with abrasive materials e.g. steel wool/scourers. Do not use any corrosive or abrasive cleaning agents containing acids or scouring agents as this may lead to surface damage. Bleaches can also discolour seats and hinges and therefore should not be used. Do not use any toilet cleaners in the cistern, as the chemical compound may affect the internal mechanisms. After cleaning, rinse with clean water and polish with a clean soft cloth.