

EVERHARD SPEC PACK



PRODUCT INFO | IMAGES | DRAWINGS

PRODUCT

Excellence Flexible Hose SS Mixer

EI CODE

78E0000

BRAND

Excellence



SPEC PACK TAPWARE COLLECTION

SPEC SHEET



EXCELLENCE FLEXIBLE HOSE SS MIXER

PRODUCT

CODE: 78E0000

FEATURES:

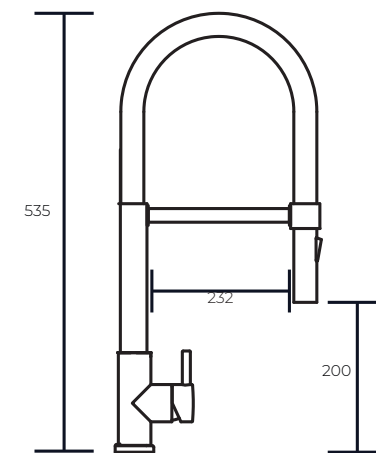
- /304 Stainless steel with brushed finish
- /360 degree swivel spout
- /Two function spray head
- /Detachable hose with magnetic clip for easy removal and placement of hand piece
- /WELS 5 star 6L/min flow rate
- /Watermark AS/NZS 3178

OVERALL DIMENSIONS:

232 W x 535mm H

WARRANTY:

- 15 years cartridge replacement
- 12 months on body



Disclaimer: All measurement are in millimetres and are solely for reference purposes. Colours have been reproduced with as much accuracy as possible. Any changes resulting from technical advance of design or colour may be made without prior notice. Tapware, accessories and appliances are for illustration purposes only. Further information on warranties is available at www.everhard.com.au

SPEC PACK TAPWARE COLLECTION

PRODUCT DRAWING

