

# EVERHARD SPEC PACK



PRODUCT INFO | IMAGES | DRAWINGS

## PRODUCT

Nugleam Rectangle Above  
Counter Basin

## EI CODE

74N0004

## BRAND

Nugleam

# SPEC PACK BATHROOM COLLECTION

SPEC SHEET



## NUGLEAM RECTANGLE ABOVE COUNTER BASIN

### PRODUCT CODE:

74N0004

### FEATURES:

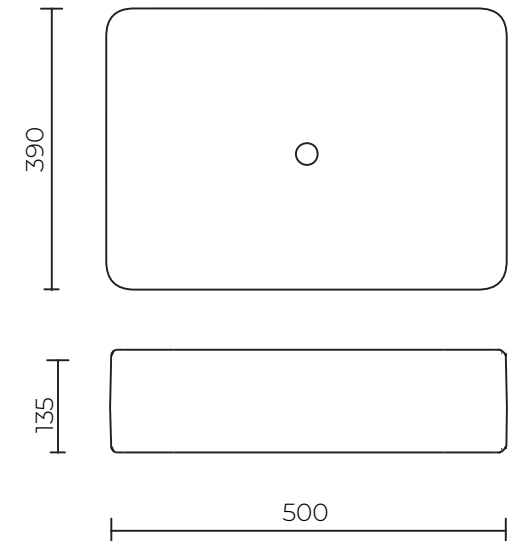
- / Above counter basin
- / Made from vitreous china
- / 17L capacity

### OVERALL DIMENSIONS:

500 L x 390 W x 135mm H

### WARRANTY:

5 years



Disclaimer: All measurement are in millimetres and are solely for reference purposes. Colours have been reproduced with as much accuracy as possible. Any changes resulting from technical advance of design or colour may be made without prior notice. Tapware, accessories and appliances are for illustration purposes only. Further information on warranties is available at [www.everhard.com.au](http://www.everhard.com.au)

# SPEC PACK BATHROOM COLLECTION

PRODUCT DRAWING

