

EVERHARD SPEC PACK



PRODUCT INFO | IMAGES | DRAWINGS

PRODUCT

Nugleam Edge 1TH Double Bowl

EI CODE

73N0005

BRAND

Nugleam



SPEC PACK KITCHEN COLLECTION

SPEC SHEET



NUGLEAM EDGE 1TH DOUBLE BOWL

PRODUCT CODE:

73N0005

FEATURES:

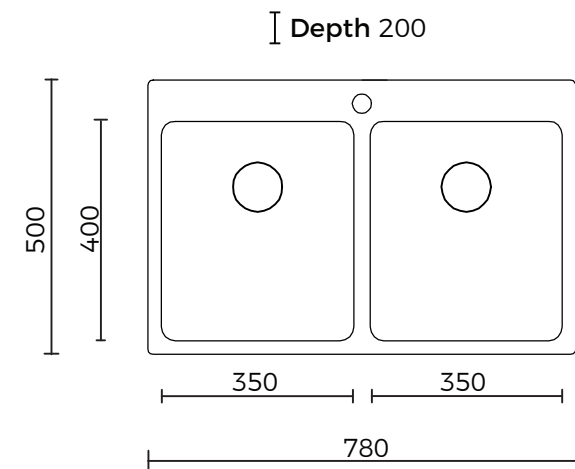
- / 304 Stainless Steel Bowl
- / 2 x 28L Capacity
- / 2 x 90mm basket waste
- / Top mount or Undermount Installation
- / R25 internal corners

OVERALL DIMENSIONS:

780 L x 500 W x 200mm D

WARRANTY:

25 years



Disclaimer: All measurement are in millimetres and are solely for reference purposes. Colours have been reproduced with as much accuracy as possible. Any changes resulting from technical advance of design or colour may be made without prior notice. Tapware, accessories and appliances are for illustration purposes only. Further information on warranties is available at www.everhard.com.au

SPEC PACK KITCHEN COLLECTION

PRODUCT DRAWING

